

### Purpose of the kit

The Membrane Replacement Kit contains parts required to replace one membrane element for the Katadyn Survivor 35 or the Katadyn PowerSurvivor 40E. It includes seals and O-rings which may need to be replaced at the same time.

### Content of the kit

- Membrane element with quad seal and two sleeve O-Rings
- Spacer O-rings (2)
- Silicone lubricant

### Tools required

- Flat-blade screwdriver
- Channel Lock Pliers (optional)
- TDS-Meter

### Important:

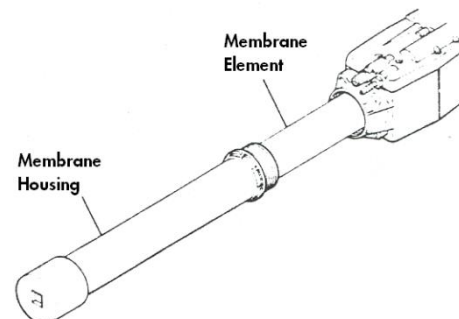
After installing the new membrane, use a TDS meter to measure the salinity of the fresh water. If you measure less than 1000ppm, your membrane works as defined, otherwise please contact our customer service.

### Model Survivor 35

1. Grasp the membrane housing with both hands and turn counterclockwise until it can be removed.
2. Remove the membrane element with a pulling-and-twisting motion. The reject tube will come out with the membrane.
3. Lubricate all O-rings and seals on the new membrane element and reject tube with a light coating of silicone lubricant.
4. Insert the membrane element into the pump body.

**NOTE:** The brine seal should be on the same end of the membrane as the spacer O-rings. No brine seal should be on the opposite end of the membrane.

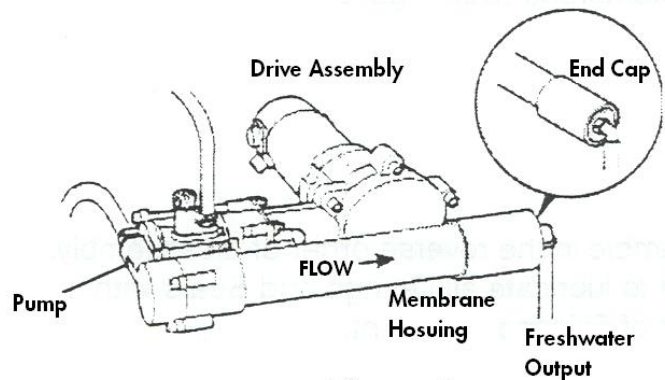
5. Insert the reject tube through the membrane element.
6. Slide the membrane housing over the membrane. Screw the housing all the way into the pump collar by hand, but do not overtighten.



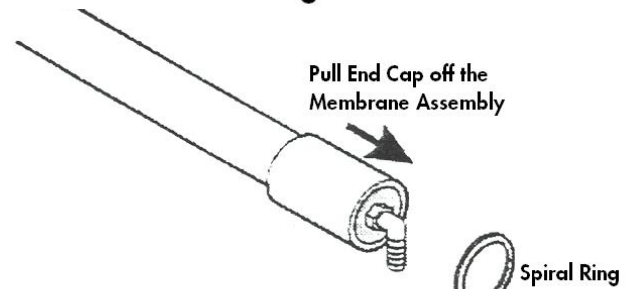
## Model PowerSurvivor 40E

**NOTE:** Run the system for a short time with the cleaning valve open to relieve internal pressure. This will ensure that the spring clamp can be easily removed in step 2 below.

1. If the end cap has freshwater product hose attached, remove the hose (see Figure 1).



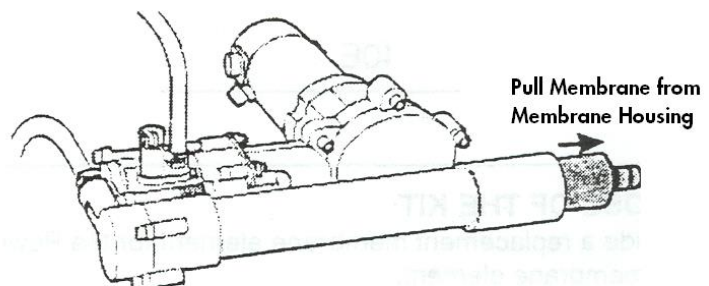
2. Use the flat-blade screwdriver to lift the end of the spiral ring on the end cap. Pull the spiral ring off (see Figure 2).
3. Remove the end cap by pulling gently on the hose barb and end cap taking care not to damage the hose barb.



**Figure 2**

**NOTE:** End caps may not come off easily. Grasp the hose barb gently and pull the end cap off. It may be necessary to wrap a piece of cloth around the hose barb (to protect it), then grasp the base of the barb with the channel lock pliers and leverage the end cap up and away.

4. With the end cap removed, gently pull the membrane element out the open end of the membrane assembly (see Figure 3).

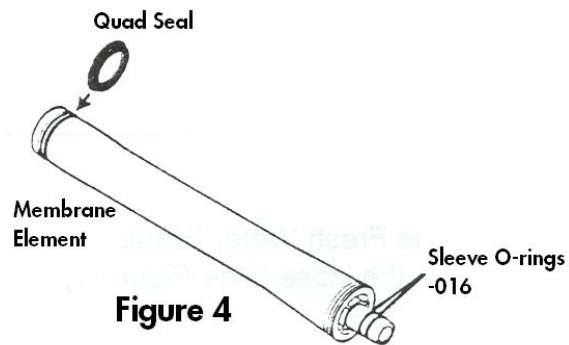


**Figure 3**

5. **NOTE:** Normally the quad seal is installed on the male end of the membrane element. Remove this quad seal from the male end.

6. Install the quad seal on the end of the membrane element farthest from the freshwater product output (the end where the seawater enters the membrane) (see Figure 4).

**NOTE:** Only one end of the membrane element gets a new quad seal.



7. Reassemble in the reverse order of disassembly. Be sure to lubricate all O-rings and seals with a thin film of silicone lubricant.

**CAUTION:** Do not use petroleum-based lubricants on the O-ring.