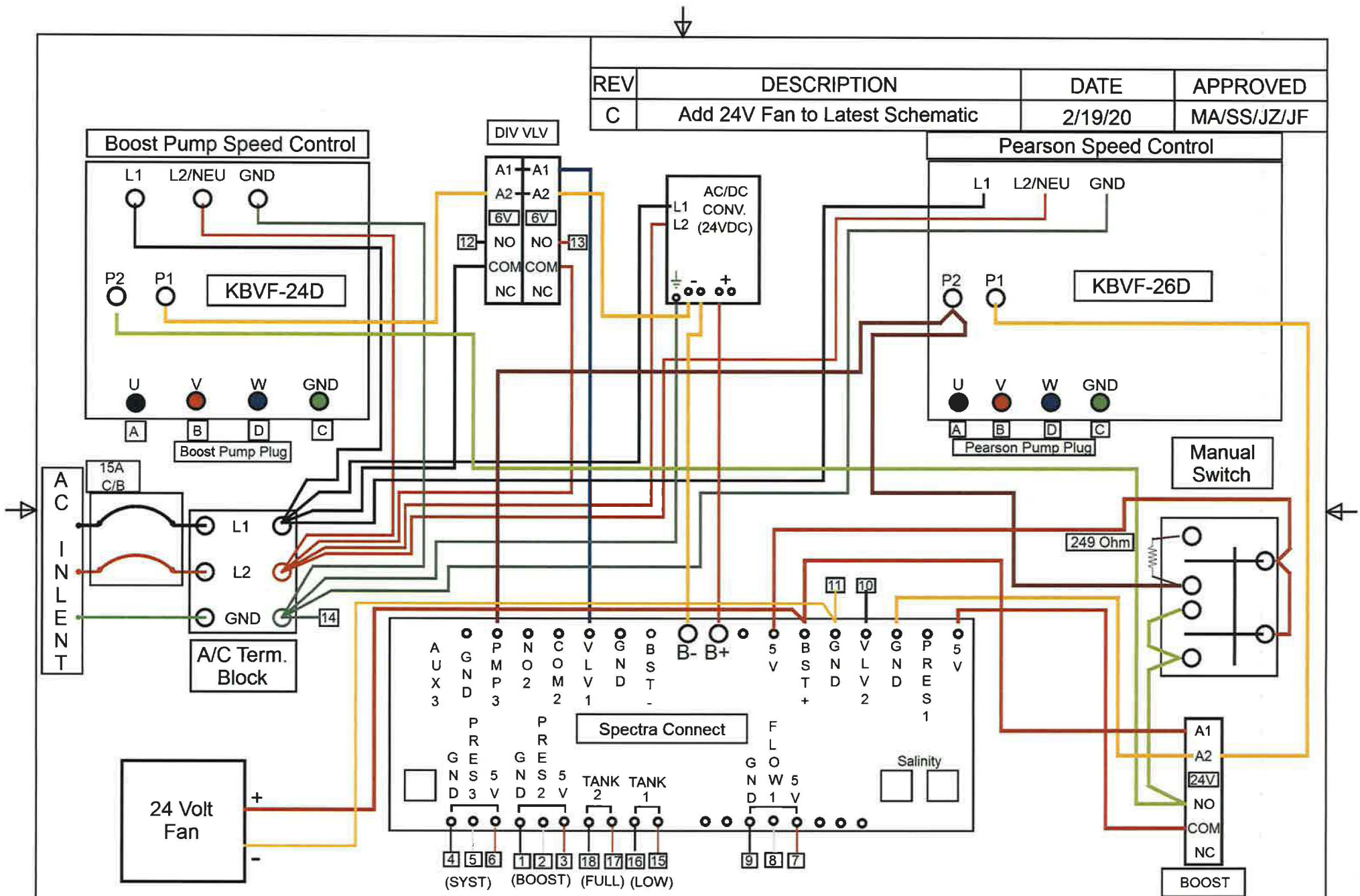


REV	DESCRIPTION	DATE	APPROVED
C	Add 24V Fan to Latest Schematic	2/19/20	MA/SS/JZ/JF



DATE	DESCRIPTION	REV
2/19/20	Farallon Cnct/KB Drive (New Manifold)	C
SCALE	SHEET	1 of 3